



Software: TCI_NFC_READER

<https://win.tcisaronno.com/public/CMS/Files/11436/Setup-NFC-DALI-1-0-0-180-1.zip>

Product data

Specification item	Value	Unit
Product name	STARLIGHT 30 200-900 EASY	
Order code	142090	
EAN (GTIN)	8010703891616	
Pieces per box	10	
Product weight	125	Gr
Made in	Italia	

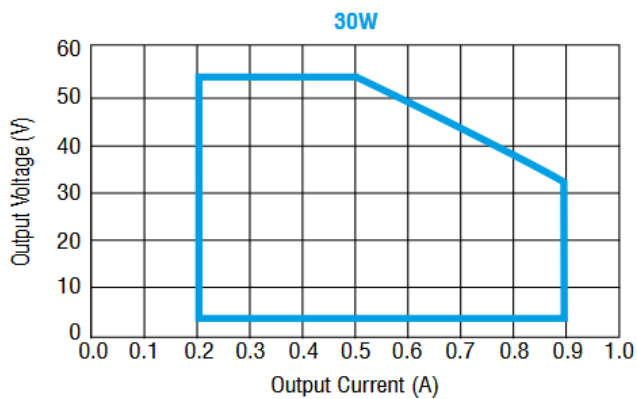
Electrical input data

Specification item	Value	Unit	Condition
Rated input voltage	220...240	Vac	
Input voltage AC range	198...264	Vac	
Input voltage DC range	186...250	Vdc	Factory default 100% EOFi = 1
Rated input frequency	50...60	Hz	
Rated input current	0,17	A	Referred to Vin = 230 V, 100% load
Rated input power	34,40	W	Referred to Vin = 230V, 100% load
Power factor	0,95	λ	Pout > 12W
THD	< 10	%	Referred to Vin = 230 V, 100% load
Efficiency	90	%	Referred to Vin = 230 V, 100% load
Isolation input to output	SELV		

Electrical output data

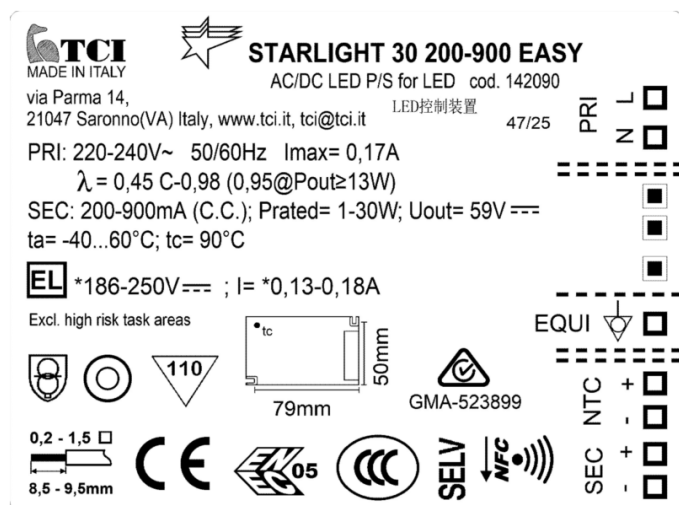
Specification item	Value	Unit	Condition
Regulation method	Constant current		
Output voltage	5...54	Vdc	
Output voltage max.	59	V	Open load
Output current	200...900	mA	
Output current min programmable	200	mA	
Output current min dimming	20	mA	
Output current tolerance	5	%	
Output power	1...30	W	
Output current ripple	< 3	%	
Output Pst LM	< 1		
Output SVM	< 0,4		

Operating window (230V)



Label

Labels are for illustrative purposes only and may differ from the actual product



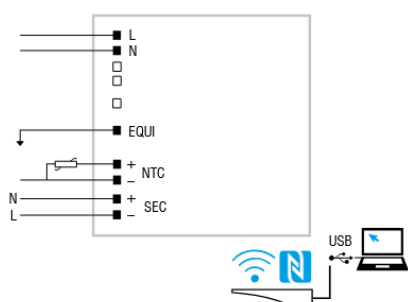
Electrical data controls input

Specification item	Value	Unit	Condition
Control method	MIDNIGHT, CLO		
Dimming range	10...100	%	

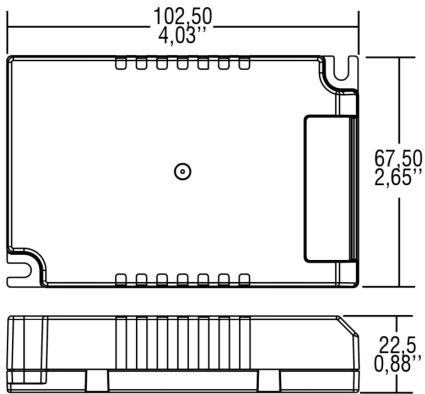
Wiring and connections

Specification item	Value	Unit	Condition
Input wire cross section	0.2...1.5 / 24...15	mm ² / AWG	
Input wire strip length	8.5...9.5	mm	
Output wires cross section	0.2...1.5 / 24...15	mm ² / AWG	
Output wire strip length	8.5...9.5	mm	
Max. cable length		cm	Max. LED distance see page info 8

Wiring diagram



Dimensions



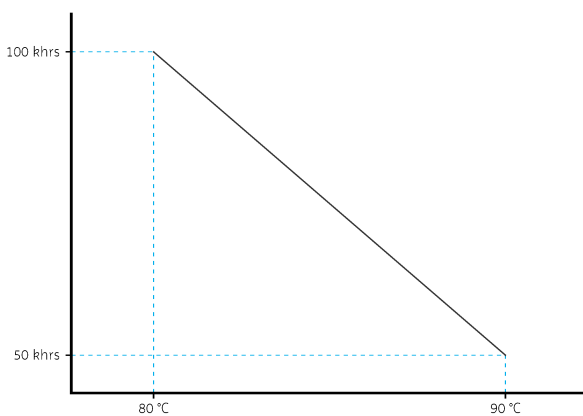
Insulation

PRI - EQUI	double or reinforced
PRI - SEC, NTC	double or reinforced
Active parts - housing	double or reinforced

Operation temperatures and humidity

Specification item	Value	Unit	Condition
Ambient temperature	-40... +60	°C	
Tc	90	°C	Maximum temperature measured at Tc point
Maximum housing temperature	110	°C	In case of failure

Temperature/Life



Storage temperature and humidity

Specification item	Value	Unit	Condition
Ambient temperature	-30...85	°C	
Relative humidity	5...85	%	Non condensing

Features

Specification item	Value	Condition
Open load	Yes	
Short circuit	Yes	
Over load and thermal protection	Yes	C.5.a
Hot plug	No	
Suitable for fixtures with protection class	class II	

Programmable features

Specification item	Available	Default setting	Condition
Set Adjustable Output Current (AOC)	NFC	700mA	
Midnight	Yes	OFF	
Constant Light Output (CLO)	Yes	OFF	
NTC	Yes	OFF	
DC emergency level	Yes	OFF	Default 100% EOFi range = 1...100%

In rush current

Specification item	Value	Unit	Condition
In rush current	5/50	A / usec	
Drivers / MCB 16A type B	50	pcs	

Driver touch current / protective conductor current

Specification item	Value	Unit	Condition
Typical Protective Conductor Current	0,05	mA	

Surge immunity

Specification item	Value	Unit	Condition
Mains surge immunity (diff. mode)	6	kV	
Mains surge immunity (comm. mode)	10	kV	

Application info

Specification item	Value
Approval marks	CE ENEC EAC UKCA
Application	Street lighting
Mounting type	Built-in

Performance curves

