



Software: TCI\_NFC\_READER

<https://win.tcisonno.com/public/CMS/Files/11436/Setup-NFC-DALI-1-0-0-155.zip>



## Product data

Specification item	Value	Unit
Product name	PROFESSIONALE 20 DALI NFC	
Order code	142011	
EAN (GTIN)	8010703863682	
Pieces per box	50	
Product weight	128	Gr
Made in	Italy	

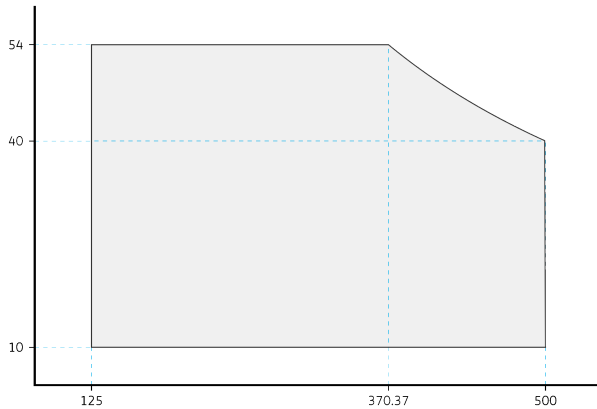
## Electrical input data

Specification item	Value	Unit	Condition
Rated input voltage	220...240	Vac	
Input voltage AC range	198...264	Vac	
Input voltage DC range	176...275	Vdc	Factory default 100% EOFi= 1
Rated input frequency	50...60	Hz	
Rated input current	0,100	A	Referred to Vin = 230 V, 100% load
Rated input power	22,60	W	Referred to Vin = 230V, 100% load
Power factor	0,9 C	$\lambda$	
THD	< 10	%	Referred to Vin = 230 V, 100% load
Efficiency	88	%	Referred to Vin = 230 V, 100% load
Stand-by Power	< 0,5	W	
Isolation input to output	SELV		

## Electrical output data

Specification item	Value	Unit	Condition
Regulation method	Constant current		
Output voltage	10...54	Vdc	
Output voltage max.	59	V	Open load
Output current	125...500	mA	
Output current min programmable	125	mA	
Output current min dimming	7	mA	
Output current tolerance	5	%	
Output power	1...20	W	
Output current ripple	< 3	%	
Output Pst LM	< 1		
Output SVM	< 0,4		

## Operating window



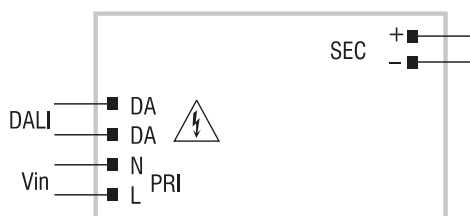
## Electrical data controls input

Specification item	Value	Unit	Condition
Control method	DALI-2, PUSH SWITCH		
Dimming range	1...100%	%	

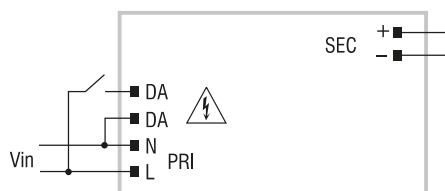
## Wiring and connections

Specification item	Value	Unit	Condition
Input wire cross section	0.75...1.5 / 18...15	mm <sup>2</sup> / AWG	
Input wire strip length	8...9	mm	
Output wires cross section	0.5...1.5 / 20...15	mm <sup>2</sup> / AWG	
Output wire strip length	8...9	mm	
Control wire cross section	0.75...1.5 / 18...15	mm <sup>2</sup> / AWG	
Control wire strip length	8...9	mm	
Max. cable length		cm	For additional details for regulations see pages info 12-14

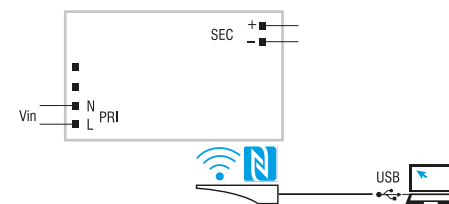
## Wiring diagrams



DALI diagram  
Collegamento DALI

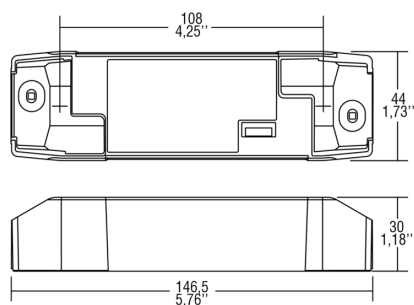


PUSH SWITCH diagram  
Collegamento PUSH SWITCH



WIRELESS PROGRAMMING diagram  
Collegamento per PROGRAMMAZIONE WIRELESS

## Dimensions



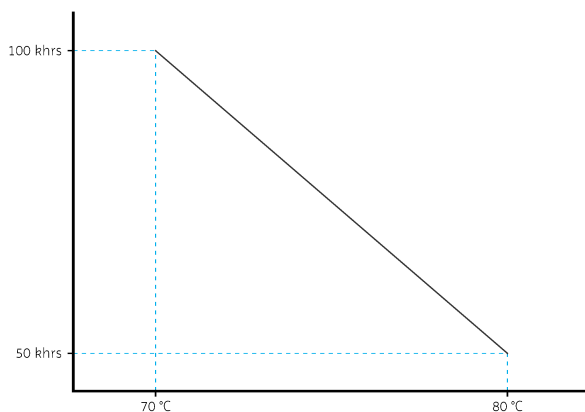
## Insulation

Specification item	Output	Controls	Earth
Input	double or reinforced	basic	N/A
Output	N/A	double or reinforced	N/A

## Operation temperatures and humidity

Specification item	Value	Unit	Condition
Ambient temperature	-25... 50	°C	
T <sub>c</sub>	80	°C	Maximum temperature measured at T <sub>c</sub> point
Maximum housing temperature	110	°C	In case of failure

## Temperature/Life



## Storage temperature and humidity

Specification item	Value	Unit	Condition
Ambient temperature	-30...85	°C	
Relative humidity	5...85	%	Non condensing

## Programmable features

Specification item	Available	Default setting	Condition
Set Adjustable Output Current (AOC)	NFC	125mA	
Push Switch	Yes	ON	
Min Dimming Level	Yes	1%	
DALI part 251	Yes	OFF	

**Features**

<b>Specification item</b>	<b>Value</b>	<b>Condition</b>
Open load	Yes	
Short circuit	Yes	
Over load and thermal protection	Yes	C.5.a
Hot plug	No	
Suitable for fixtures with protection class	class I/II	
DALI part 101	Yes	
DALI part 102	Yes	
DALI part 207	Yes	
DALI part 252	Yes	
DALI part 253	Yes	

**In rush current**

<b>Specification item</b>	<b>Value</b>	<b>Unit</b>	<b>Condition</b>
In rush current	5/50	A / usec	
Drivers / MCB 16A type B	50	pcs	

**Driver touch current / protective conductor current**

<b>Specification item</b>	<b>Value</b>	<b>Unit</b>	<b>Condition</b>
Typical Protective Conductor Current	0,05	mA	

**Surge immunity**

<b>Specification item</b>	<b>Value</b>	<b>Unit</b>	<b>Condition</b>
Mains surge immunity (diff. mode)	1	kV	
Mains surge immunity (comm. mode)	2	kV	

## Application info

Specification item	Value
Approval marks	CE ENEC EAC RCM UKCA BIS
Ingress Protection classification (IP)	20
Application	Compact dimmable indoor
Mounting type	Independent
Cut hole diameter	Ø54

## Performance curves

